

PUMY-P NHMU



SPECIFICATIONS

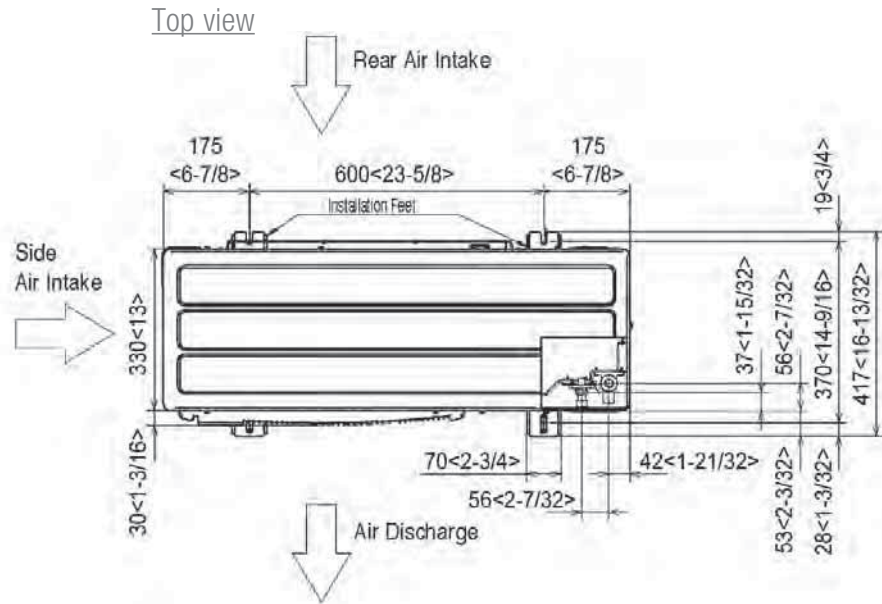
Model		PUMY-P36NHMU(-BS)		PUMY-P48NHMU(-BS)	
Power source		1-phase 208-230V 60Hz			
Cooling capacity (Nominal)	*1	BTU / h	36,000		48,000
	*1	kW	10.6		14.1
	Power input	kW	3.22		4.97
		Current input	A	14.23-15.74	24.0-21.7
Temp. range of cooling	Indoor	W.B.	59 ~ 75°F (15 ~ 24°C)		
	Outdoor	D.B.	23 ~ 115°F (-5 ~ 46°C)		
			50 ~ 115°F (10 ~ 46°C) : in case of connecting PKFY-P06 / P08 type indoor unit.		
Heating capacity (Nominal)	*2	BTU / h	40,000		54,000
	*2	kW	11.7		15.8
	Power input	kW	2.93		4.88
		Current input	A	12.88-14.24	23.6-21.3
Temp. range of heating	Indoor	D.B.	59 ~ 81°F (15 ~ 27°C)		
	Outdoor	W.B.	0 ~ 60°F (-18 ~ 15.5°C)		10 ~ 60°F (-12 ~ 15.5°C)
Indoor unit connectable	Total capacity	50 ~ 130% of outdoor unit capacity			
	Model / Quantity	P06 ~ P36 / 1 ~ 6		P06 ~ P54 / 1 ~ 8	
Sound pressure level (measured in anechoic room)		dB<A>	49 / 51		50 / 52
Diameter of refrigerant pipe	Liquid pipe	in.(mm)	ø3/8 (ø9.52) Flare (total length ≥ 393ft. (120m))		ø3/8 (ø9.52) Flare (total length ≥ 393ft. (120m))
	Gas pipe	in.(mm)	ø5/8 (ø15.88) Flare		ø5/8 (ø15.88) Flare
External finish		Galvanized sheets (+powder coating for -BS type) <MUNSELL 3Y 7.8/1.1>			
External dimension		in.	53-5/32 × 37-13/32 × 13		53-5/32 × 37-13/32 × 13
H × W × D		mm	1,350 × 950 × 330		1,350 × 950 × 330
Net weight		lbs (kg)	287 (130)		287 (130)
Heat exchanger		Salt-resistant cross fin & copper tube			
Compressor	Type	Inverter scroll hermetic compressor			
	Starting method	Inverter			
	Motor output	kW	2.4		2.4
	Case heater	kW	-		-
FAN	Airflow rate	m³ / min	100		100
		L / s	1,667		1,667
		cfm	3,530		3,530
	External static press.	in.WG(Pa)	0 (0)		0 (0)
		Type × Quantity	Propeller fan × 2		Propeller fan × 2
	Control, Driving mechanism	DC-control, Direct-driven by motor			
Motor output	kW	0.086 × 2		0.086 × 2	
Protection	High pressure protection	High pressure sensor, High pressure switch at 4.15MPa (601 psi)			
	Inverter circuit (COMP, FAN)	Over-current protection, Over-heat protection			
	Compressor	Discharge thermo protection, Over-current protection			
	Fan motor	Over-heat protection, Voltage protection			
Refrigerant	Type × Original charge	R410A × (18 lbs + 12 oz) (8.5kg)		R410A × (18 lbs + 12 oz) (8.5kg)	
Optional parts		joint : CMY-Y62-G-E Header : CMY-Y64 / 68-G-E			

*1 Nominal cooling conditions
Indoor 80°F (26.7°C) D.B. / 67°F (19.4°C) W.B., Outdoor 95°F (35°C) D.B.
Pipe length 25ft. (7.6m), Level difference 0ft. (0m)

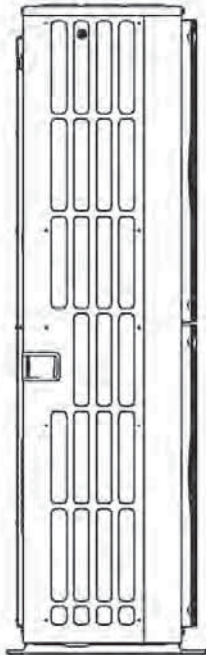
*2 Nominal heating conditions
Indoor 70°F (21.1°C) D.B., Outdoor 47°F (8.3°C) D.B. / 43°F (6.1°C) W.B.
Pipe length 25ft. (7.6m), Level difference 0ft. (0m)

PUMY-P NHMU

PUMY-P36/48NHMU



Side view



Front view

